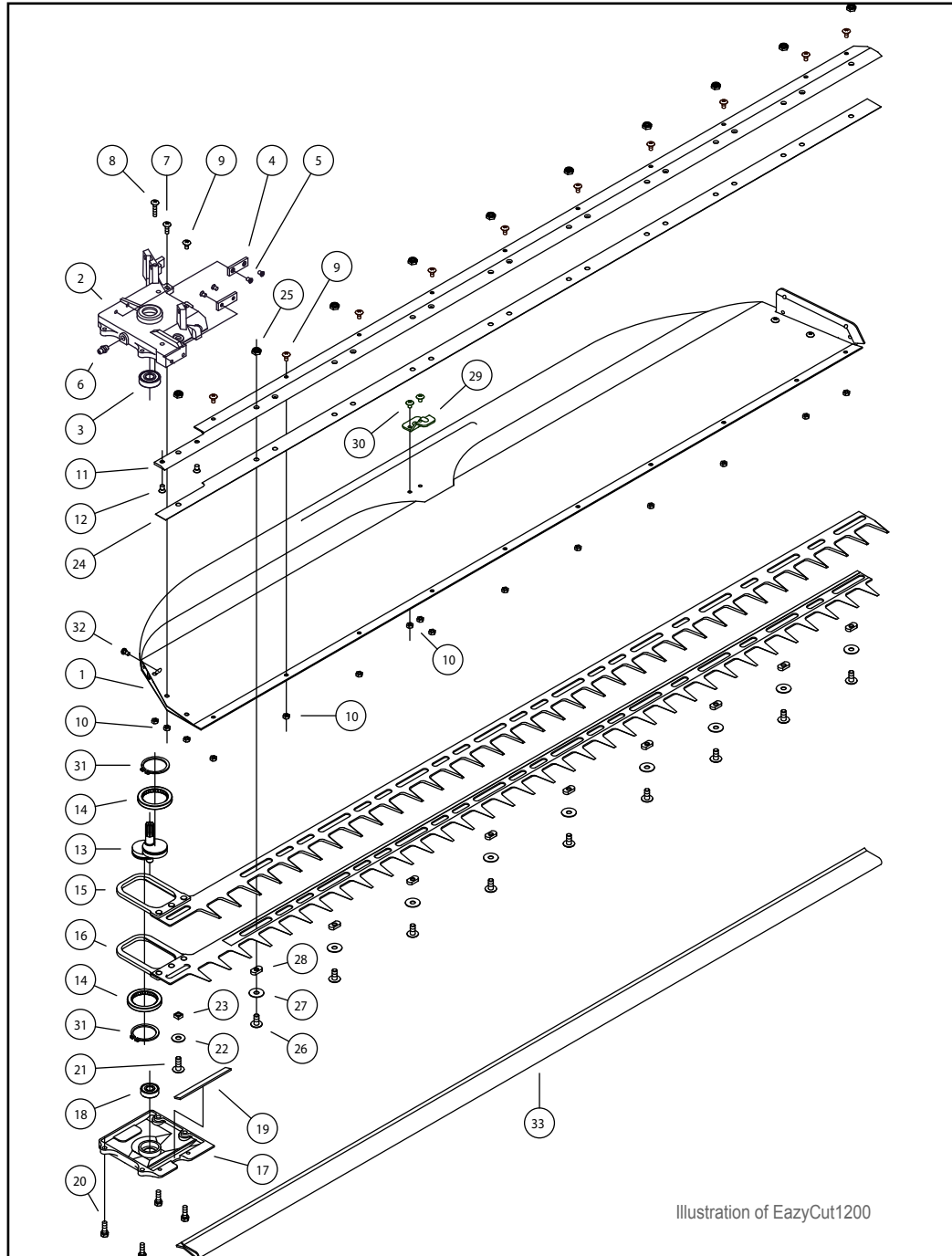
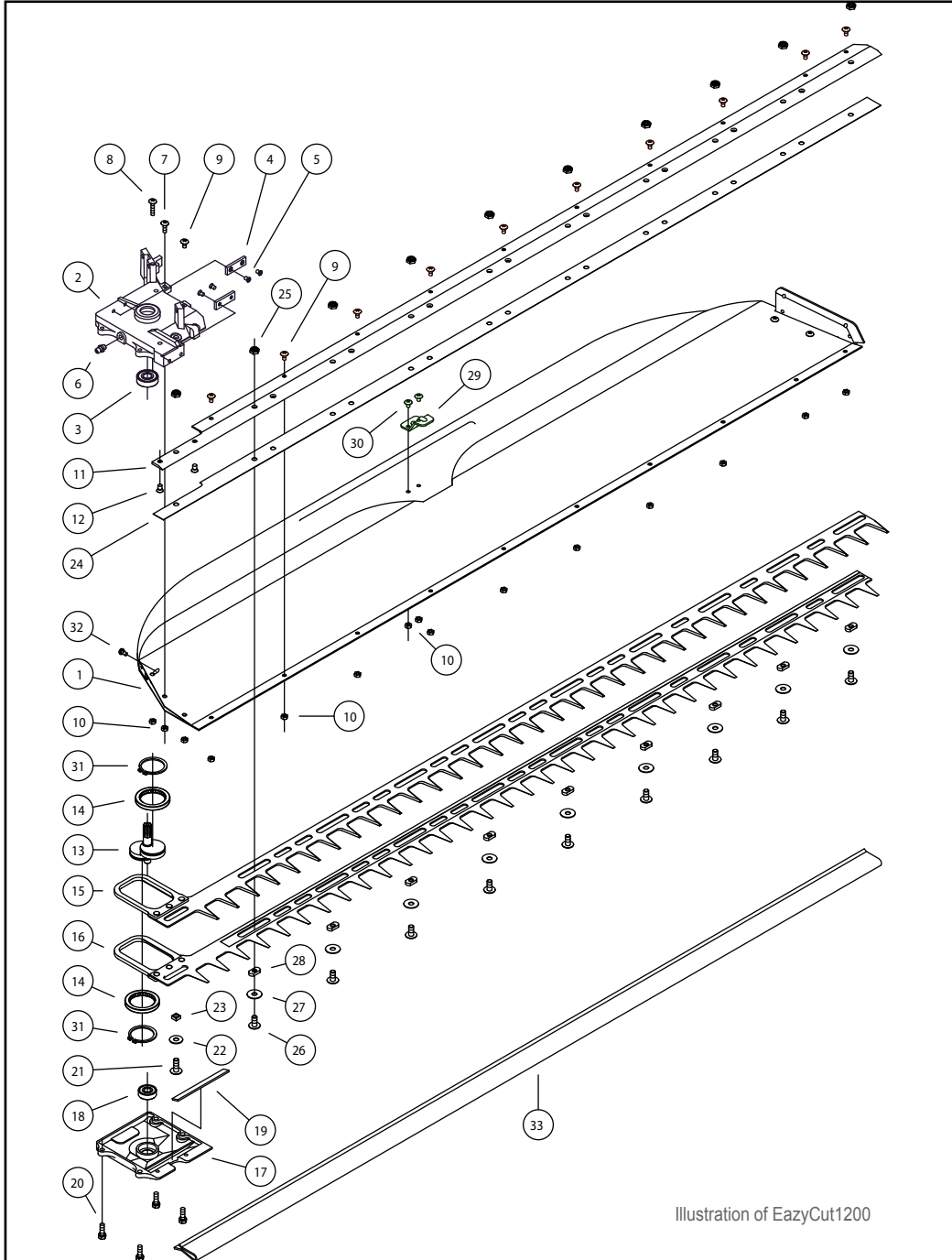


June 2010



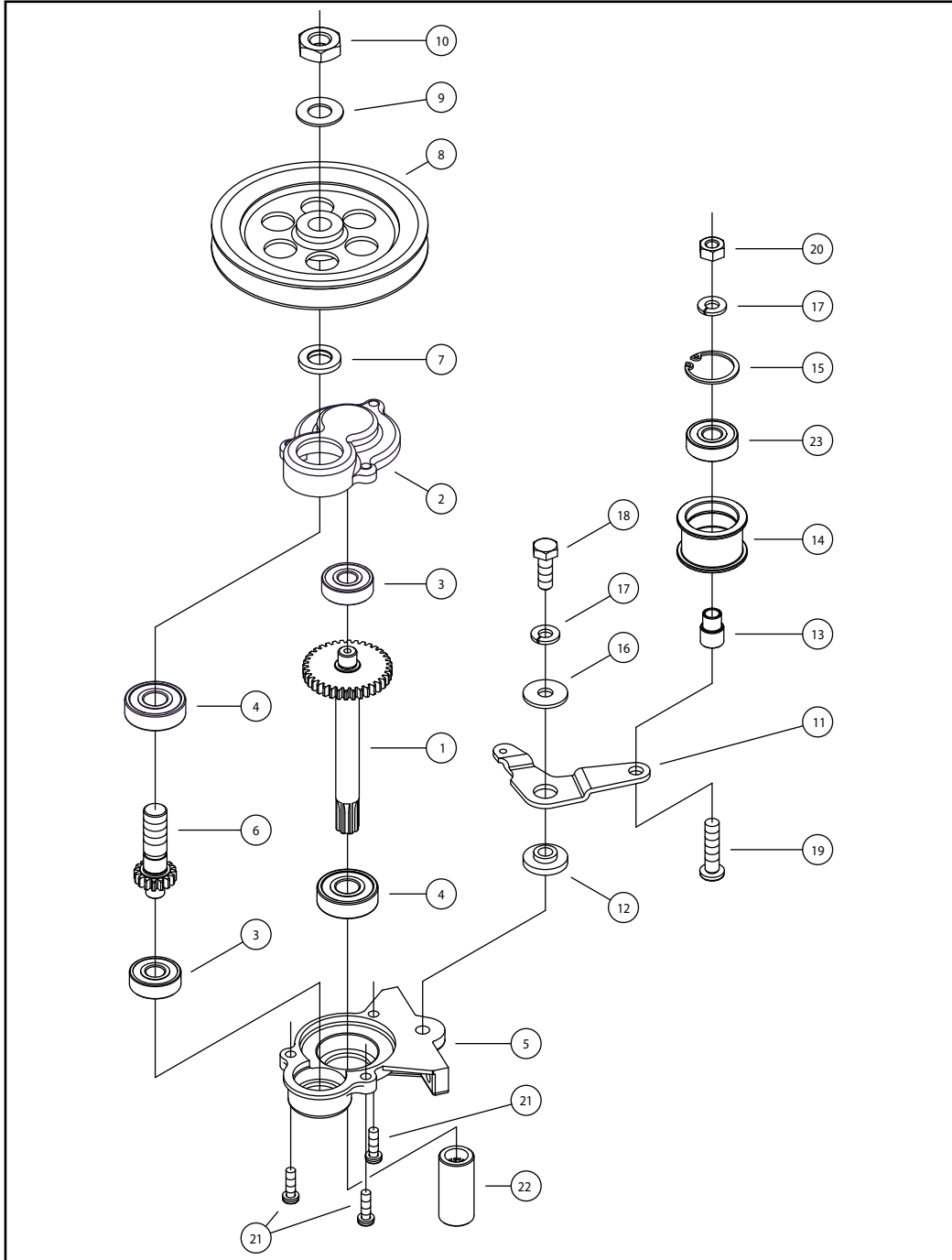
Detail ChartNo.	PartNo.	Chart EazyCut	Description	Note	Q-EC1200	Q-EC1600	Order
BFS-01	110-015	103	Bottom Frame Straight - EC1200		1	-	
BFS-01	G178-10000	103	Bottom Frame Straight - EC1600		-	1	
BFS-02	133-100	69	Crank Case (Upper)		1	1	
BFS-03	K354-060000	78	Bearing 6000 UU	deep groove ball bearing	1	1	
BFS-04	009-259000	71+73	Brushing Plate	Unti Friction Plate	2	2	
BFS-05	K031-040060	72+74	Small Head Screw	M4x6	4	4	
BFS-06	R055-000100	75	Grease Nipple		1	1	
BFS-07	K012-040120	67	Tass Head Screw	M4x12	1	1	
BFS-08	K012-040180	66	Tass Head Screw	M4x18	1	1	
BFS-09	K012-040080	101	Truss Head Screw	M4x8	11	14	
BFS-10	K150-040000	77 + 100	Hexagon Nut	M4	15	18	
BFS-11	133-224-1200	102	Blade Clip Straight - EC1200		1	-	
BFS-11	133-224-1600	102	Blade Clip Straight - EC1600		1	-	
BFS-11	G178-109000	99	Blade Clip Straight - EC1600		-	1	
BFS-12	K031-050080	81	Mounting Screw	M5x6	2	2	
BFS-13	096-119	86	Crankshaft		1	1	
BFS-14	R049-000100	79+87	Needle Bearing		2	2	
BFS-15	A254-362009	97	Upper Blade - EC1200		1	-	
BFS-15	A388-108009	97	Upper Blade - EC1600		-	1	
BFS-16	A254-365009	98	Lower Blade - EC1200		1	-	
BFS-16	A388-109009	98	Lower Blade - EC1600		-	1	
BFS-17	096-118	83	Crank Case (Lower)		1	1	
BFS-18	K354-006080	82	Bearing 608 UU	deep groove ball bearing	1	1	
BFS-19	009-260	89	Felt		1	1	
BFS-20	K054-050160	84+85	Upset Screw P2	M5x16	4	4	



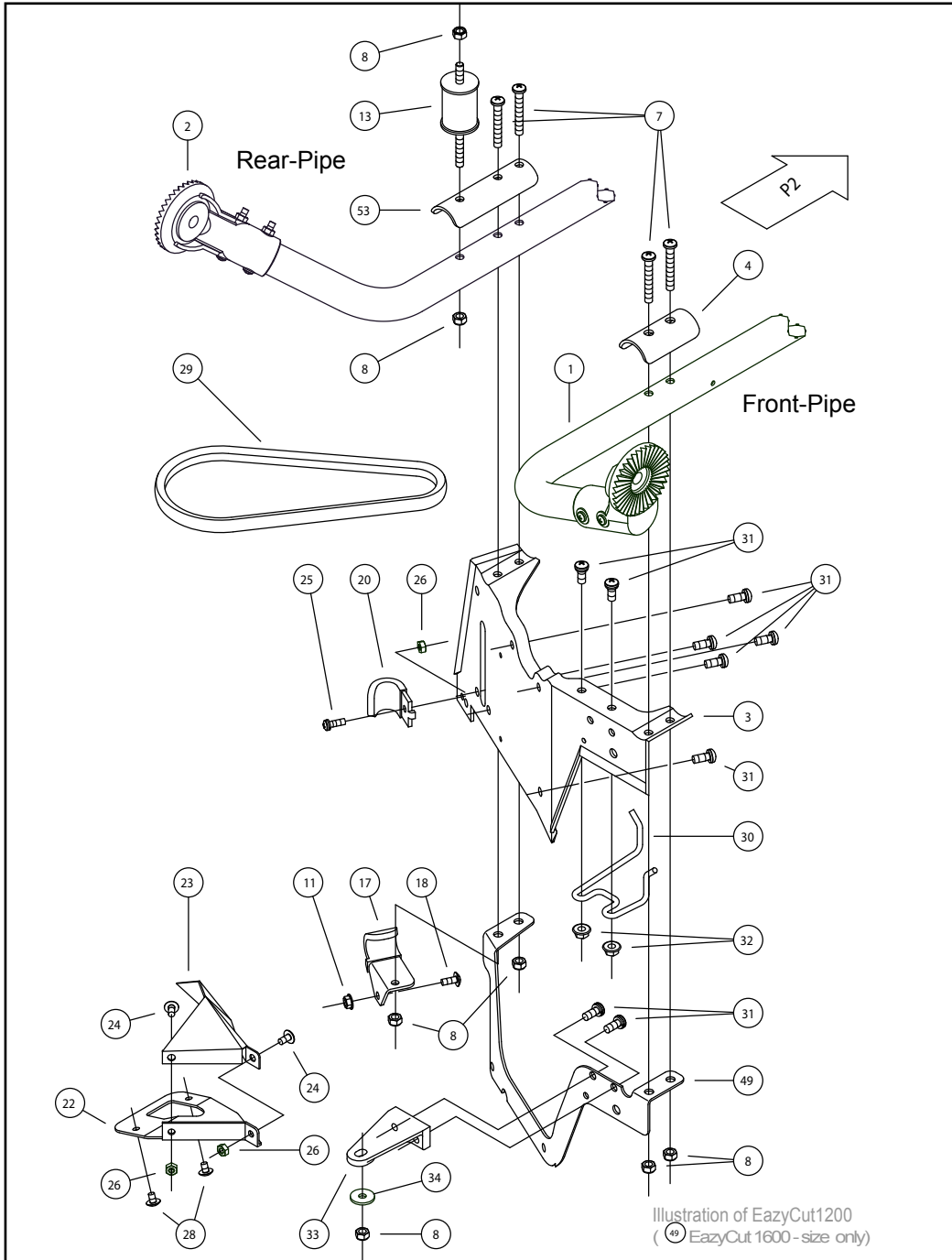
Detail ChartNo.	PartNo.	Chart EasyCut	Description	Note	Q-EC1200	Q-EC1600	Order
BFS-21	008-246	92	Blade Slide Nut	M6x17	1	1	
BFS-22	008-250	91	Blade Slide Washer		1	1	
BFS-23	092-113	90	Square Washer		1	1	
BFS-24	133-106	99	Slide Plate - EC1600 1st Section	EC1600	-	1	
BFS-24	133-110	99	Slide Plate - EC1200 (One Section)	EC1200	1	-	
BFS-24	A388-110003	102	Slide Plate - EC1600 2nd section	EC1600	-	1	
BFS-25	K166-060000	96	Thin U Nut	M6	10	13	
BFS-26	A040-007004	95	Blade Slide Screw		9	12	
BFS-27	096-206	94	Blade Slide Washer		9	12	
BFS-28	133-205	93	Square Washer	18M	9	12	
BFS-29	008-273	64	Bag Hook	Bag Metal	1	1	
BFS-30	K012-040060	63	Truss Head Screw	M4x6	2	2	
BFS-31	K283-030000	80+88	C Stopper Ring	STW30	2	2	
BFS-32	K016-040080	75	Pot P2	M4x8	1	1	
BFS-33	A028-106009	191	Blade Cover - EC1200		1	-	
BFS-33	A028-201004	191	Blade Cover - EC1600		-	1	

Sets

BFS-CSS	Crankshaft set	86/88	<i>Crankshaft set</i>	1*13 + 2*14 + 2*31	1	1	
BFS-KS1200	Bladeset1200	97+98	<i>Spare blade - EC1200</i>	15+16	1	-	
BFS-KS1600	Bladeset1600	97+98	<i>Spare blade - EC1600</i>	15+16	-	1	
BFS-SSKS-1200	Screwset EC1200	90/92 + 93/98	<i>Screw Set for Blade - EC1200 (no blades)</i>	1*21/23 + 9*25/28	1	-	
BFS-SSKS-1600	Screwset EC1600	90/92 + 93/98	<i>Screw Set for Blade - EC1600 (no blades)</i>	1*21/23 + 12*25/28	-	1	

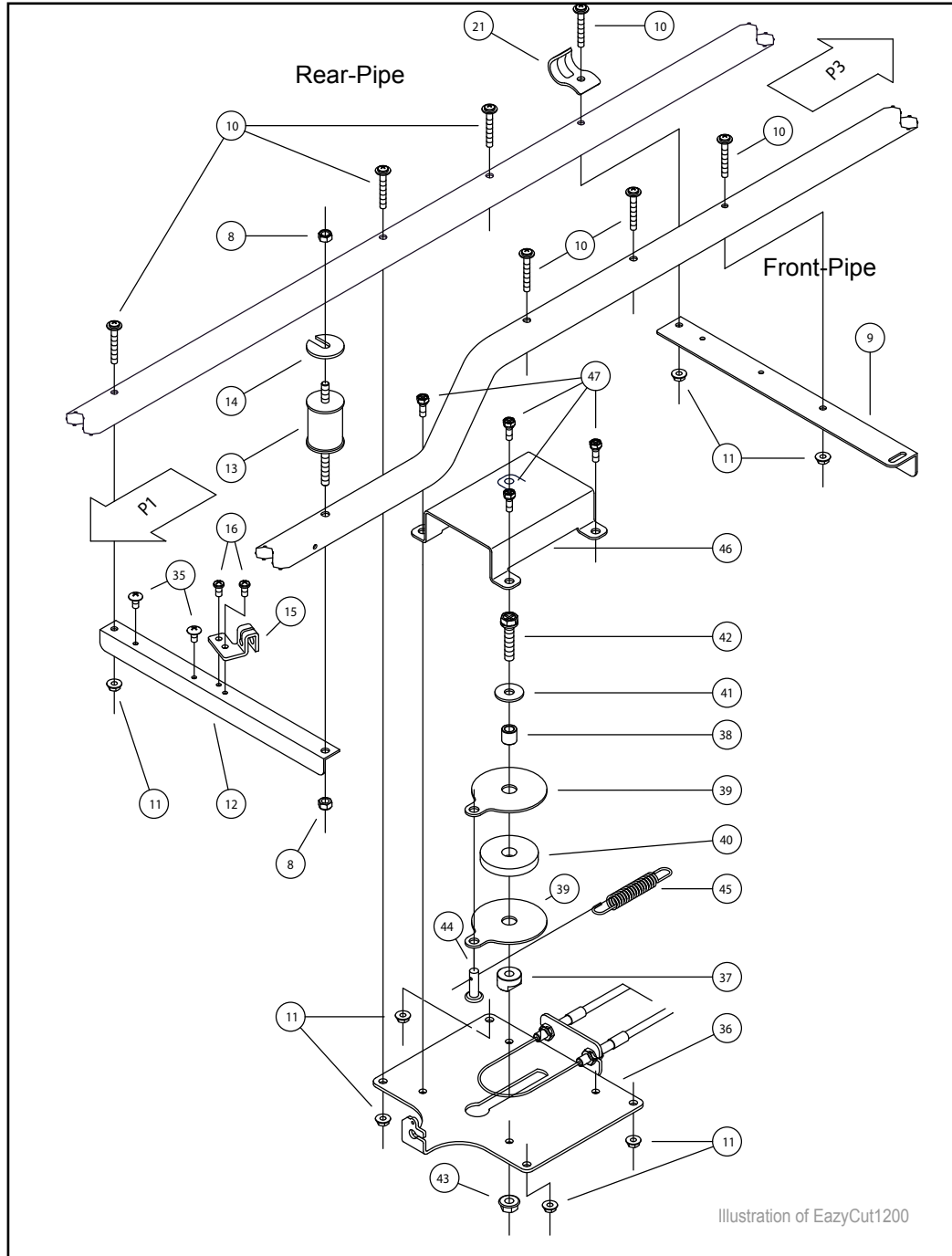


Detail ChartNo.	PartNo.	Chart EasyCut	Description	Note	Q-EC1200	Q-EC1600	Order
DUA-01	096-113	34	Output Gear		1	1	
DUA-02	096-110	31	Gear Case (Upper)		1	1	
DUA-03	K353-006080	32+37	Bearing 608 ZZ	deep groove ball bearing	2	2	
DUA-04	K354-060000	33+36	Bearing 6000 UU	deep groove ball bearing	2	2	
DUA-05	103-141	38	Gear Case (Lower)		1	1	
DUA-06	096-112	35	Pinion		1	1	
DUA-07	021-180	30	Pinion Rod Collar / Shaft		1	1	
DUA-08	021-122	29	Pulley		1	1	
DUA-09	K225-100000	28	Plate Spring	M10	1	1	
DUA-10	K152-10000L	27	Hexagon Nut(Left)	M10	1	1	
DUA-11	103-129	51	Tension Arm		1	1	
DUA-12	021-196	52	Tension Metal		1	1	
DUA-13	FV2-A006000	198	Pulley Collar / Fitting Ring		1	1	
DUA-14	G008-000020	58	V-belt guiding - Tension bridge		1	1	
DUA-15	K282-022000	199	C-Ring	RTW 22.0	1	1	
DUA-16	K207-060161	50	Flat Washer Screw for 6.0x1.6	6x19x1.6	1	1	
DUA-17	K210-060000	196 + 201	Spring Washer (M6)	M6	2	2	
DUA-18	L040-060180	49	Hexagon Bolt	M6x18	1	1	
DUA-19	K010-060250	197	Pan Head Screw	M6x25	1	1	
DUA-20	K150-060000	128	Hexagon Nut	M6	1	1	
DUA-21	K016-040140	42	Pot P2	M4x14	3	3	
DUA-22	096-116	70	Connecting Sleeve		1	1	
DUA-23	K354-006080	200	Bearing 608 UU	deep groove ball bearing	1	1	



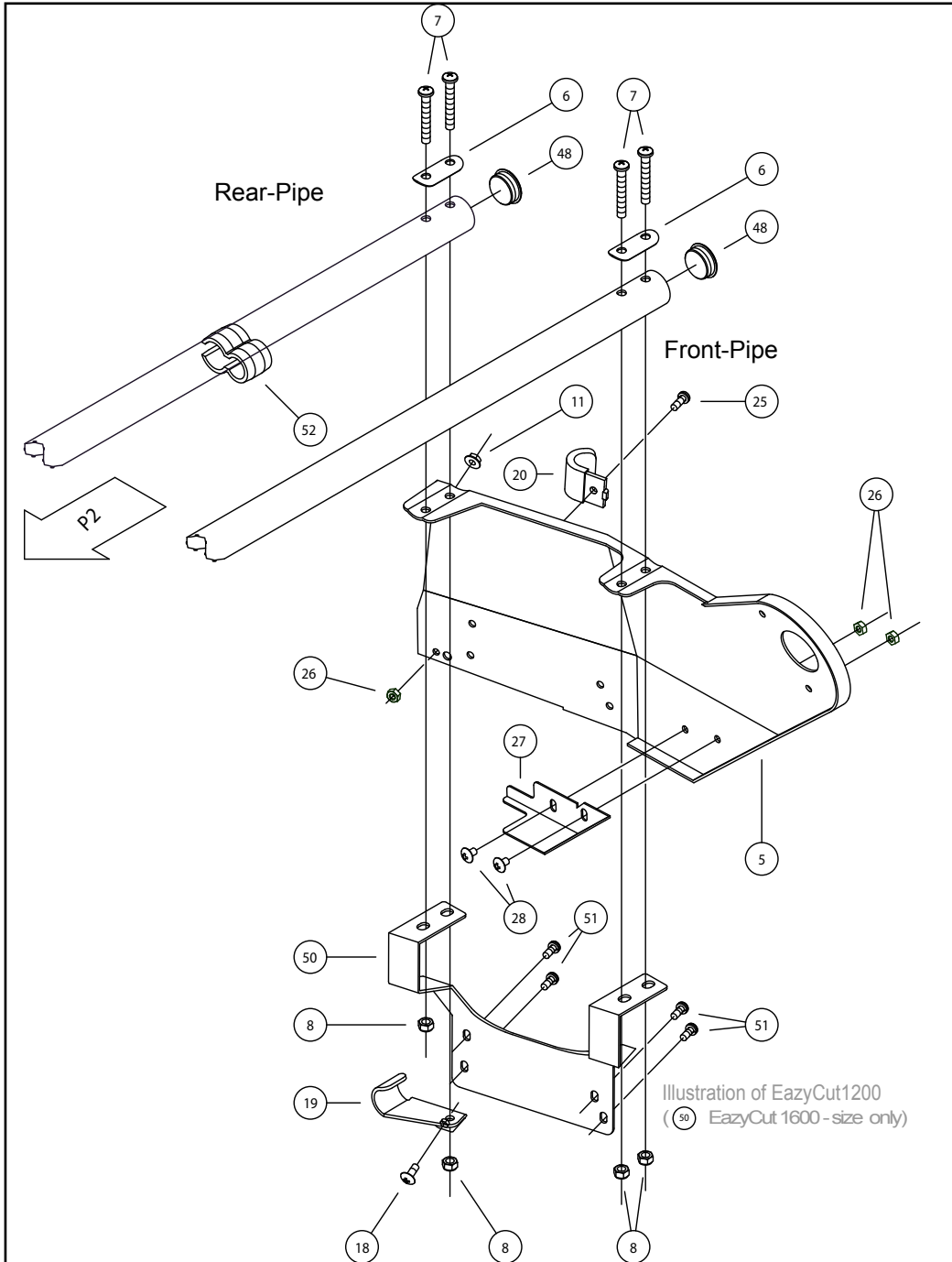
Detail ChartNo.	PartNo.	Chart EazyCut	Description	Note	Q-EC1200	Q-EC1600	Order
AFR-01	FV3-A061000	133	Frame Pipe End Front 1600	EC1600	-	1	
AFR-01	FV3-A067000	133	Frame Pipe End Front 1200	EC1200	1	-	
AFR-02	FV3-A062000		Frame Pipe End Rear 1600	EC1600	-	1	
AFR-02	FV3-A068000		Frame Pipe End Rear 1200	EC1200	1	-	
AFR-03	103-103	53	Side Frame(L) - EC1200		1	-	
AFR-03	A289-116002	53	Side Flame(L) - EC1600		-	1	
AFR-04	096-154	135	Pipe Reinforcement	Pipe Plate	1	-	
AFR-07	K010-050350	140+ 148	Pan Head Screw	M5x35	8 *	8 *	
AFR-08	K164-050000	118 + 131	U Nut	M5	13 *	13 *	
AFR-11	K171-040000	132	Nut	M4	9*	10 *	
AFR-13	A035-007004	9+138	Engine Mount Rubber Unit Friction Rubber		2*	2*	
AFR-17	A025-005004	54	Metal Fitting for Bag		1	1	
AFR-18	K012-040100	57	Truss Head Screw	M4x10	2*	2*	
AFR-20	008-341	39+115	Metal Fitting for Bag		2*	2*	
AFR-22	096-211	61	Leaves by the Engine	(below)	1	1	
AFR-23	133-132	59	Leaves by the Engine (top)		1	1	
AFR-24	K012-040080		Truss Head Screw	M4x8	2	2	
AFR-25	K016-040120	40	Pot P2	M4x12	2*	2*	
AFR-26	K150-040000	156	Hexagon Nut	M4	6*	7*	
AFR-28	K012-040060	60	Truss Head Screw	M4x6	4*	4*	
AFR-29	K320-019000	16	V Belt (Center Line)	M19	1	1	
AFR-30	103-128	56	Belt Pressure Holder		1	1	
AFR-31	K016-050120	55	Pot P2	M5x12	9	9	
AFR-32	K161-050000	2	Fringe Nut	M5	2	2	
AFR-33	096-158	46	Engine Mount Rubber Stay		1	1	
AFR-34	K207-050163		Flat Washer Screw	5.0x16x1.6	1	1	
AFR-49	G178-107000		Reinforcement A - EC1600		-	1	
AFR-53	103-130	139	Pipe Reinforcement R		1	1	

* total quantity in frame



Detail ChartNo.	PartNo.	Chart EazyCut	Description	Note	Q-EC1200	Q-EC1600	Order
AFR-08	K164-050000	118 + 131	U Nut	M5	13 *	13 *	
AFR-09	FV3-A010000	154	Central Angle Frame		1	1	
AFR-10	K015-040300	141	Screw P1 M4x30 Pan	M4x30	7	8	
AFR-11	K171-040000	132	Nut	M4	9 *	10 *	
AFR-12	103-121	134	Frame Angle L		1	1	
AFR-13	A035-007004	9+138	Engine Mount Rubber Unit Friction Rubber		2 *	2 *	
AFR-14	133-128		Antivibration Washer		1 ~ 3	1 ~ 3	
AFR-15	084-135	143	Cable End Holder		1	1	
AFR-16	K110-040800	142	Tap Nut	M4x8	2	2	
AFR-21	A025-009004	147	Metal Fitting for Bag		1	2	
AFR-23	133-132	59	Leaves by the Engine (top)		1	1	
AFR-35	K113-400800		Trass Tap Nut 2	M4x8	2	2	
AFR-36	FV3-A063000		End Clutch Cable Plate		1	1	
AFR-37	MC4-A007000		Tension Nut		1	1	
AFR-38	FV3-A066000		Collar Shaft		1	1	
AFR-39	FV3-A064000		Wire guide 1		2	2	
AFR-40	FV3-A065000		Wire guide 2		1	1	
AFR-41	K207-060161		Flat Washer Screw	6.0x19x1.6	1	1	
AFR-42	K054-060300		Upset Screw P2	M6x30	1	1	
AFR-43	K162-060000		Fringe Nut	M6S	1	1	
AFR-44	121-247		Rivet wire		1	1	
AFR-45	G001-000450		Tension spring	1.4x10x57.2	1	1	
AFR-46	FV3-A069000		Cover		1	1	
AFR-47	K054-040120		Upset Screw P2	M4x12	4	4	
AFR-52	HVH-A004000		Wire Guide		1 *	2 *	

* total quantity in frame



Detail ChartNo.	PartNo.	Chart EasyCut	Description	Note	Q-EC1200	Q-EC1600	Order
AFR-05	110-143	108	Side Frame (R)	STR	1	1	
AFR-06	092-129	149	Pipe R Washer		2	-	
AFR-07	K010-050350	140+ 148	Pan Head Screw	M5x35	8 *	8 *	
AFR-08	K164-050000	118 + 131	U Nut	M5	13 *	13 *	
AFR-11	K171-040000	132	Nut	M4	9 *	10 *	
AFR-18	K012-040100	57	Truss Head Screw	M4x10	2 *	2 *	
AFR-19	A025-010004	117	Metal Fitting for Bag		1	1	
AFR-20	008-341	39+115	Metal Fitting for Bag		2 *	2 *	
AFR-25	K016-040120	40	Pot P2	M4x12	2 *	2 *	
AFR-26	K150-040000	156	Hexagon Nut	M4	6 *	7 *	
AFR-27	110-148	109	Leaf Drawing Plate (R)	STR	1	1	
AFR-28	K012-040060	60	Truss Head Screw	M4x6	4 *	4 *	
AFR-48	008-288		Pipe Cap		2	-	
AFR-50	G178-108000		Reinforcement B - EC1600		-	1	
AFR-51	K016-040100	113	Pot P2	M4x10	4	4	
AFR-52	HVH-A004000		Wire Guide		1 *	2 *	

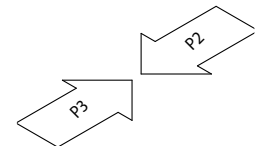
* total quantity in frame

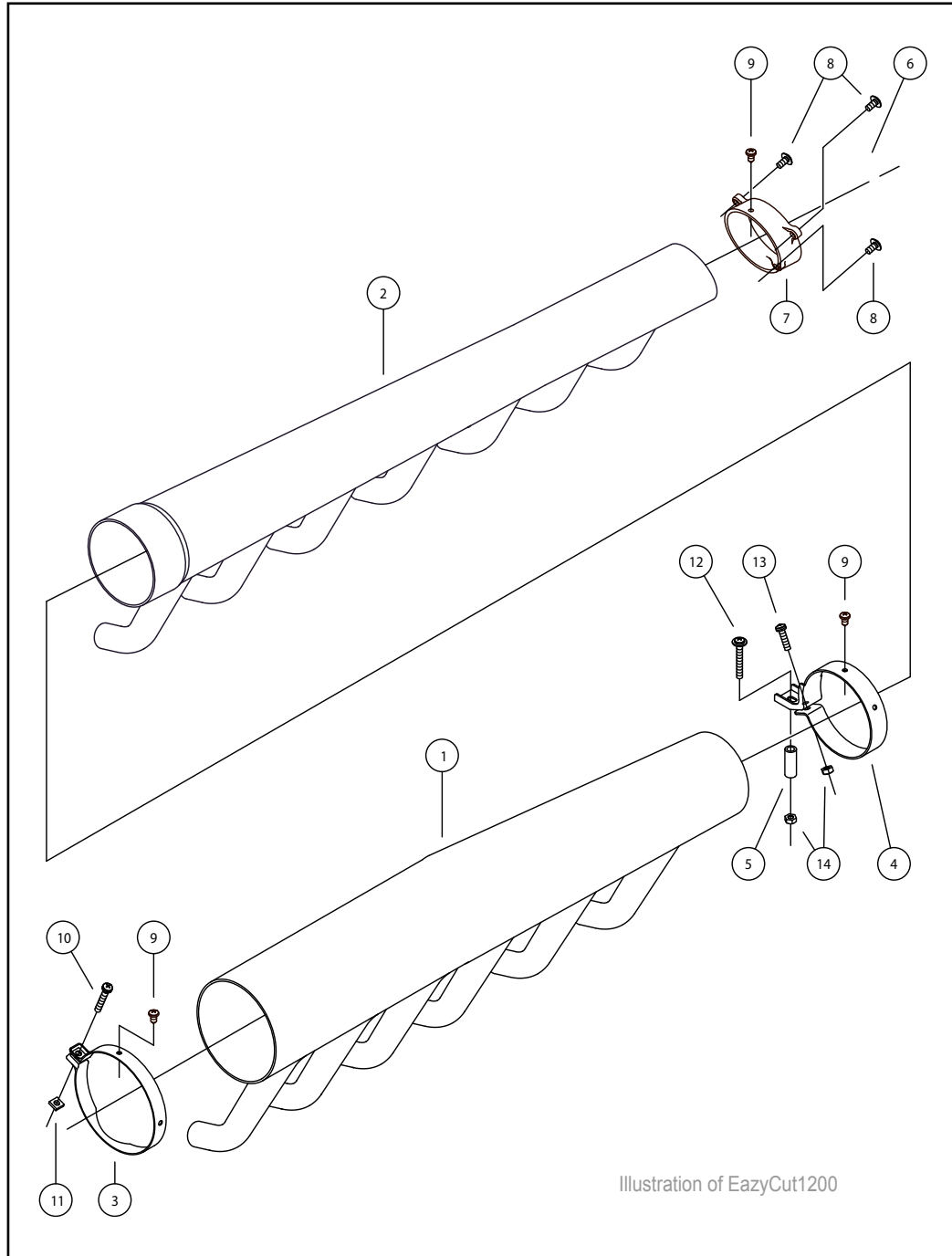
Frame Pipes

AFR-FP01	110-117-1200	133	Frame Pipe Front - EC1200		1	-	
AFR-RP01	AFR-02-O	137	Frame Pipe Rear - EC1200		1	-	
AFR-RP02	AFR-02-O	137	Frame Pipe Rear - EC1600		-	1	
AFR-FP02	110-117-1600	133	Frame Pipe Front - EC1600		-	1	

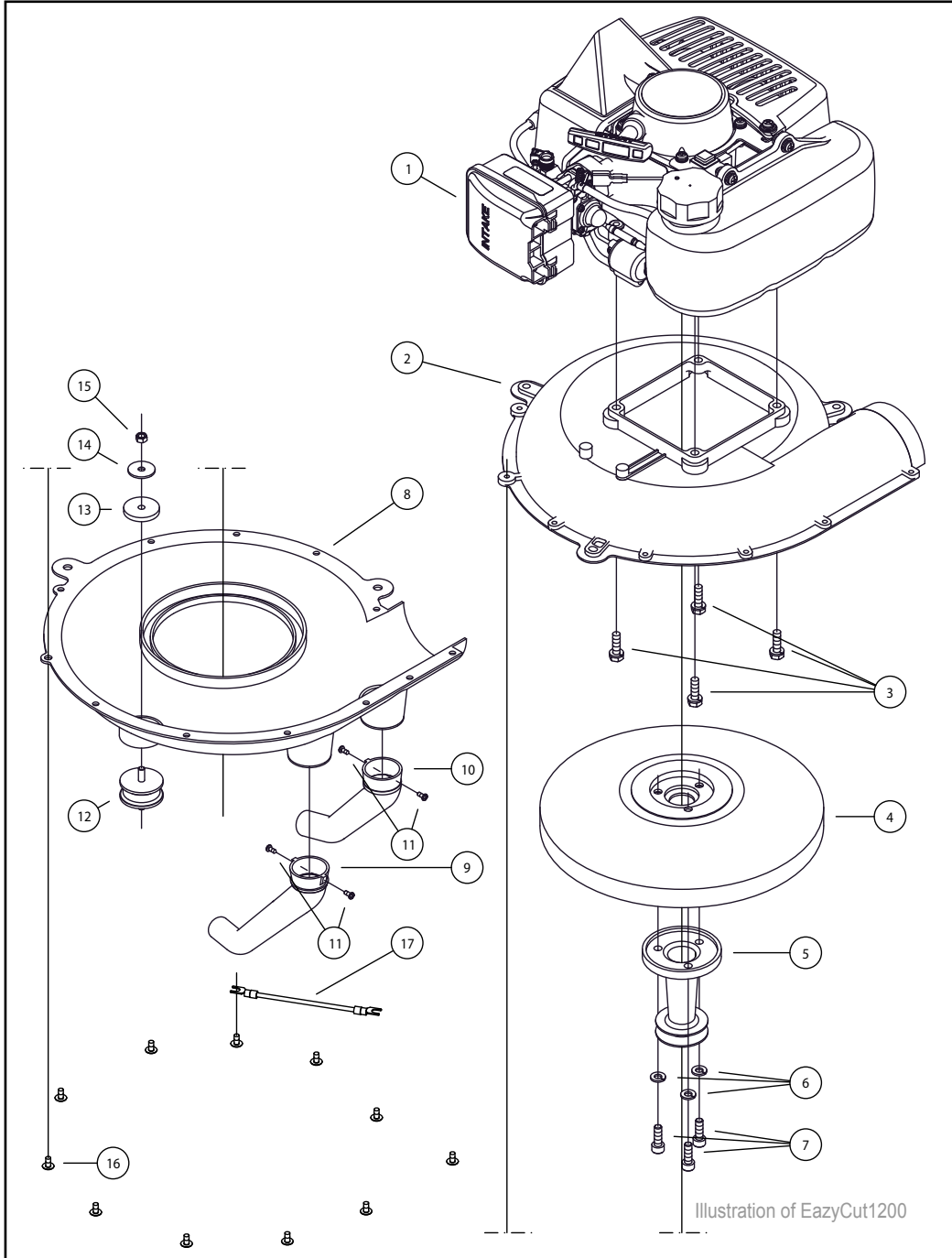
Frame drawings consists of 3 parts
Please use the arrows for orientation

Note:
The frame pipes have no number on the drawing

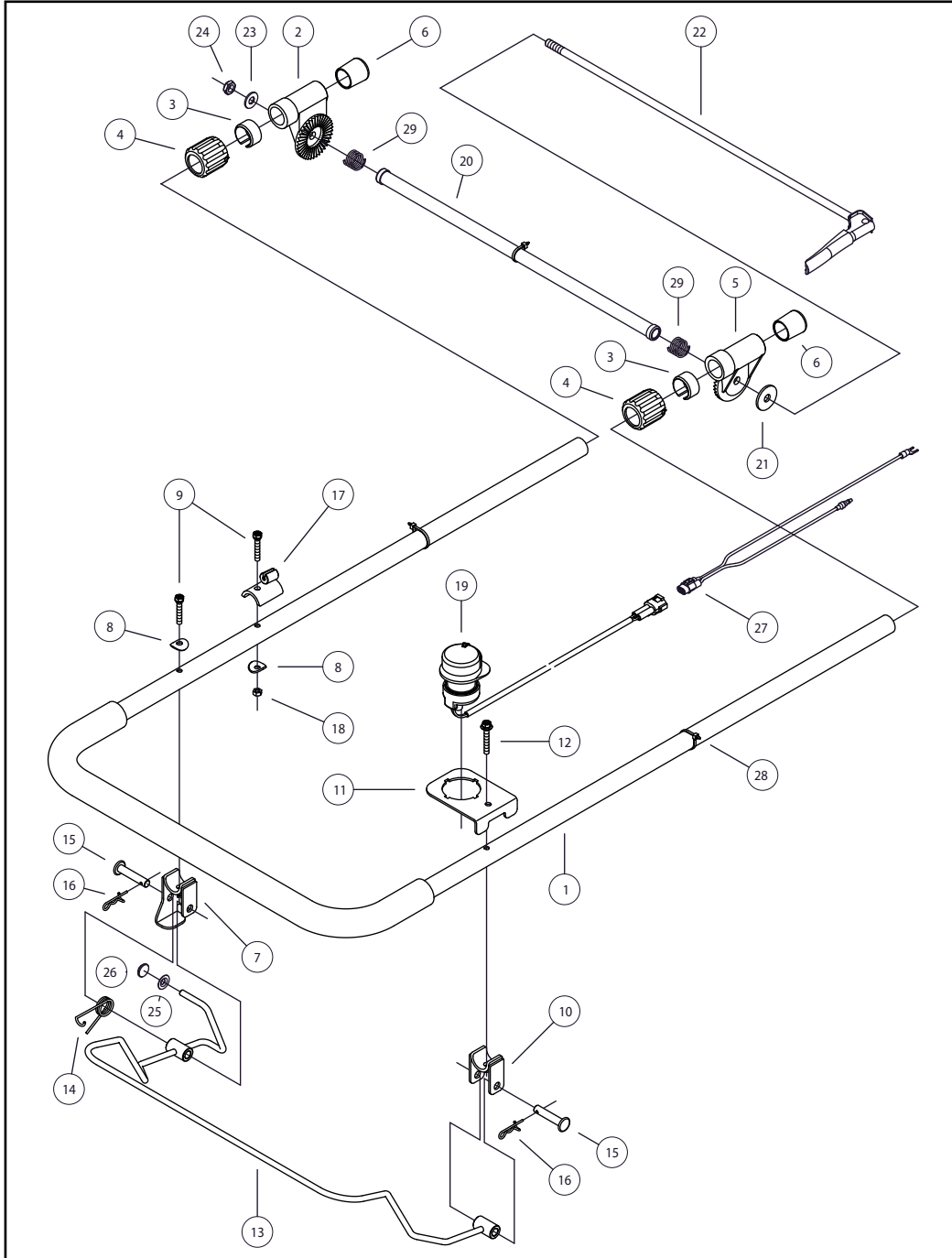




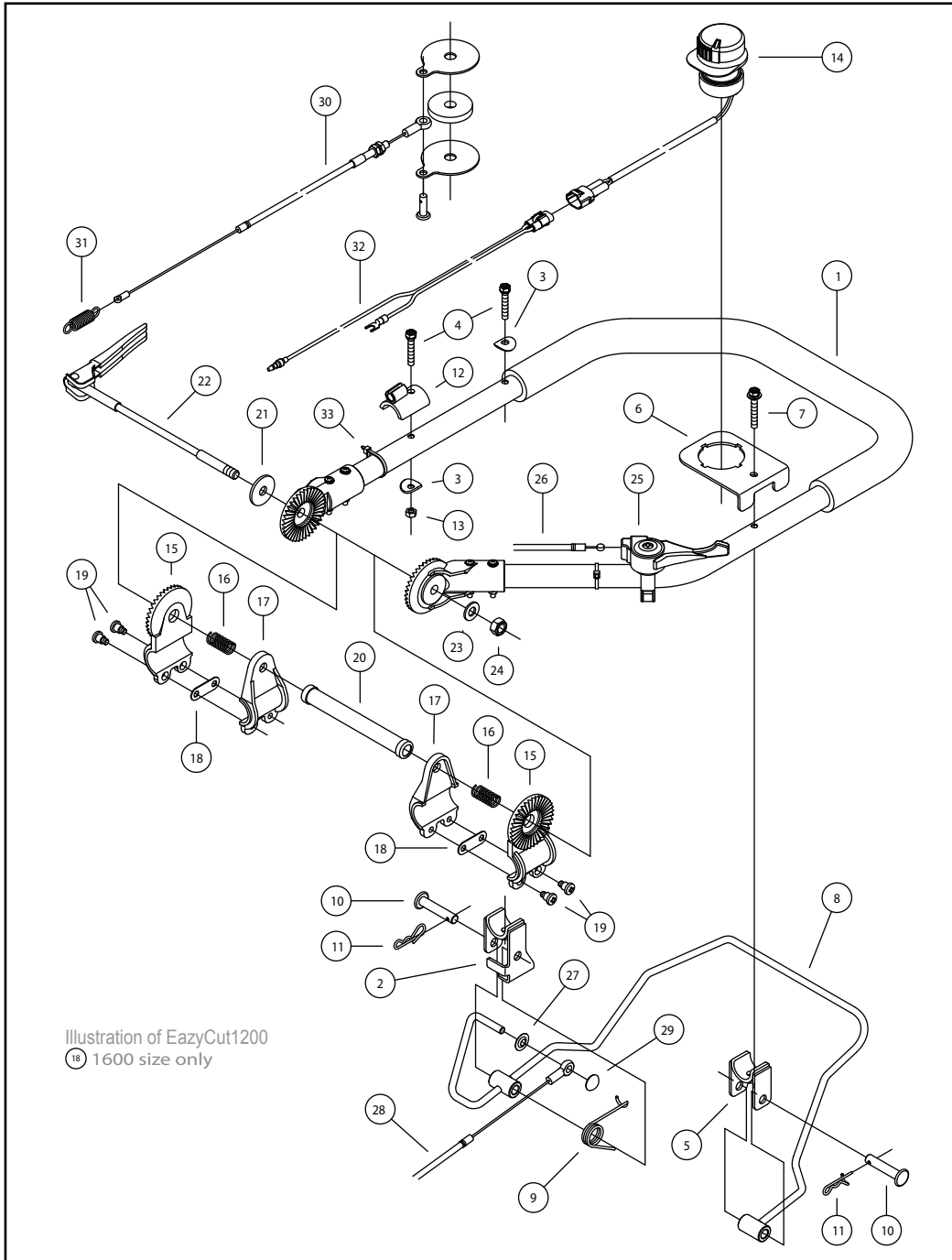
Detail ChartNo.	PartNo.	Chart EazyCut	Description	Note	Q-EC1200	Q-EC1600	Order
DS-01	110-100	130	Blow Duct 1st Section - EC1200		1	-	
DS-01	FV3-A059000	119	Blow Duct 1st Section - EC1600		-	1	
DS-02	110-104	119	Blow Duct 2nd Section - EC1200		1	-	
DS-02	A283-704009	130	Blow Duct 2nd Section - EC1600		-	1	
DS-03	A116-147004	127	Clamp Ring 1st Section	Left	2	4	
DS-04	110-149	120	Clamp Ring 2nd Section		1	1	
DS-05	110-142	155	Band Collar		1	1	
DS-06	008-256	104	Rubber Stopper	Rubber Ring	1	1	
DS-07	110-145	107	Duct Mounting Flange (Large)		1	-	
DS-08	K012-040080		Truss Head Screw	M4x8	3	3	
DS-09	K112-400800		Tap Nut	4.0x8	3	3	
DS-10	K016-040250		Pot P2 M4x25	M4x25	1	1	
DS-11	K199-040000	126	Square Nut	M4	1	1	
DS-12	K015-040300	122	Screw P1 M4x30 Pan	M4x30	1	1	
DS-13	K016-040160	114	Pot P2 M4x16	M4x16	1	1	
DS-14	K150-040000	123	Hexagon Nut	M4	2	2	



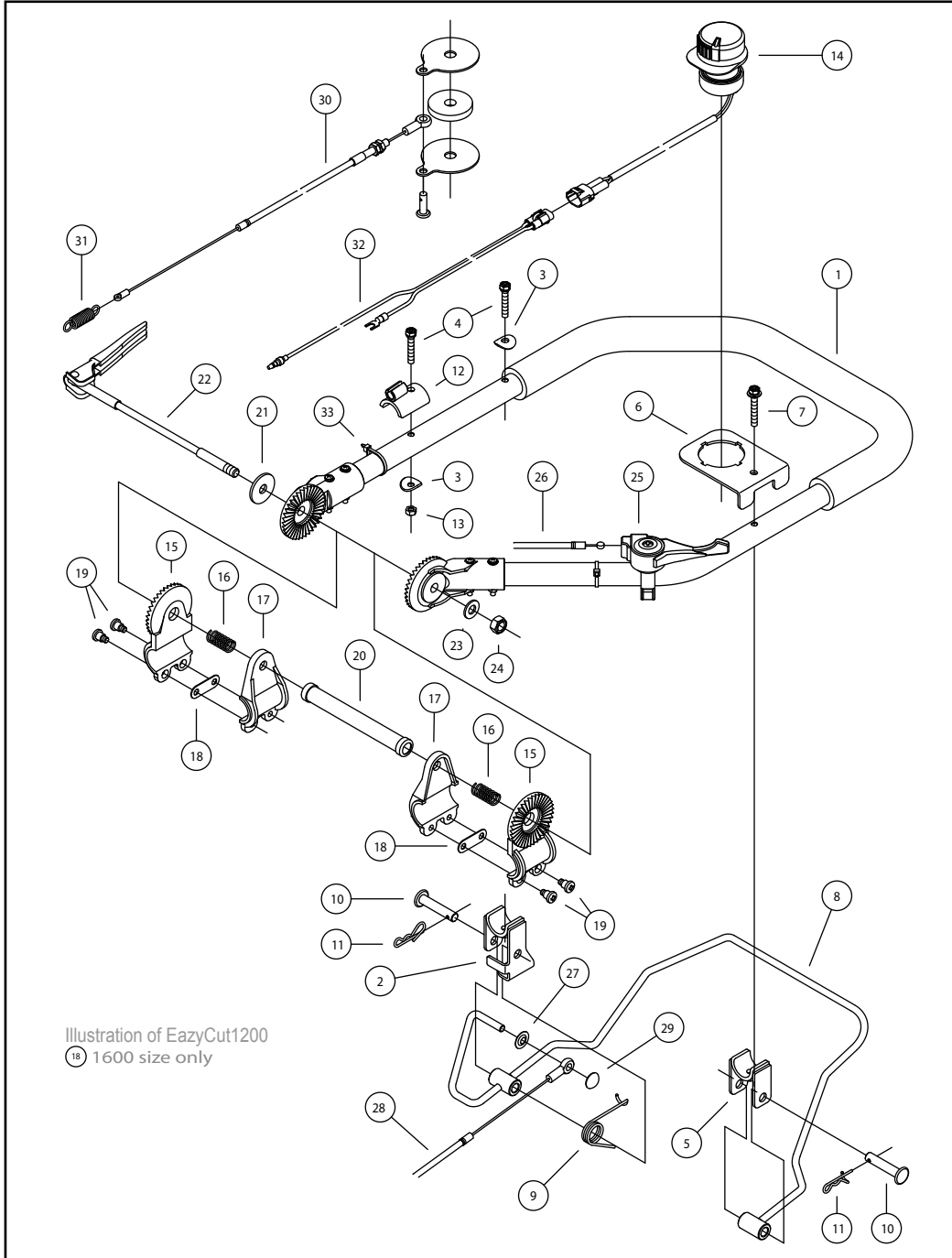
Detail ChartNo.	PartNo.	Chart EazyCut	Description	Note	Q-EC1200	Q-EC1600	Order
EAF-01	R002-003500	1	Engine		1	1	
EAF-02	A190-100001	5	Fan Casing Upper Half		1	1	
EAF-03	K054-060200	6	Upset Screw	M6x20	4	4	
EAF-04	FV2-A004000	7	Turbo Fan		1	1	
EAF-05	133-206	21	Pulley (Engine)		1	1	
EAF-06	K210-060000	20	Spring Washer (M6)	M6x18	3	3	
EAF-07	L080-06018K		Bolt with Hexagonal Hole	M6x18	3	3	
EAF-08	133-131	8	Fan Casing Bottom Half		1	1	
EAF-09	133-130	17	1st Blow Pipe EC1200		1	-	
EAF-09	A283-113009	17	1st Blow Pipe EC - EC1600		-	1	
EAF-10	133-127	18	2nd Blow Pipe - EC1200		1	-	
EAF-10	A283-107003	18	2nd Blow Pipe - EC1600		-	1	
EAF-11	K112-300800		Tap Nut	3.0x8	1	1	
EAF-12	021-155	15	Engine Mount Rubber	Unit Friction Rubber	1	1	
EAF-13	021-158	12	Casing Rubber Washer		1	1	
EAF-14	021-186	11	Flat Washer	Ø5x22x1.6	1	1	
EAF-15	K164-050000	10	U Nut	M5	1	1	
EAF-16	K012-040080	22 + 23 + 68 + 105	Truss Head Screw	M4x8	11	11	
EAF-17	062-224	25	Earth Lead Cable Wire	Ground Lead	1	1	



Detail ChartNo.	PartNo.	Chart EasyCut	Description	Note	Q-EC1200	Q-EC1600	Order
UHA-01	FV5-A007000	175	Long U-handle		1	1	
UHA-02	A030-006003	181	Adjuster Slide R		1	1	
UHA-03	008-304	177	Handle Bush	U ring for Handle	2	2	
UHA-04	008-300	176	Handle Fixing Nut		2	2	
UHA-05	A030-005003	182	Adjuster Slide F		1	1	
UHA-06	008-320	190	Tip Cap		2	2	
UHA-07	FV5-A009000		First End lever bracket		1	1	
UHA-08	A118-150004		R aluminum Washers		2	2	
UHA-09	K054-050300		Upset Screw P3	M5x30	2	2	
UHA-10	FV5-A010000		Second end lever bracker		1	1	
UHA-11	FV5-A012000		Switch Plates		1	1	
UHA-12	K055-050350		Upset Screw P3	M5x35	1	1	
UHA-13	FV5-A011000		End U switch lever		1	1	
UHA-14	A003-030004		Screw Spring		1	1	
UHA-15	A185-115004		Pin wheel H		2	2	
UHA-16	K279-080001		Pin clip	8	2	2	
UHA-17	FV5-A008000		End Cable holder		1	1	
UHA-18	K150-050000		Hexagon Nut	M5	1	1	
UHA-19	R105-006500		Emergency stop switch		1	1	
UHA-20	096-149	186	Handleshaft Collar (End)		1	1	
UHA-21	008-117	184	Handleshaft Washer	Ø8x28x2.3	1	1	
UHA-22	A015-016003	183	Handleshaft End		1	1	
UHA-23	K207-080151	178	Flat Washer	Ø8x18x1.5	1	1	
UHA-24	K166-080000	179	Thin U Nut	M8	1	1	
UHA-25	R227-000100		Push Nut		1	1	
UHA-26	R227-000200		Cap Nut		1	1	
UHA-27	G005-22E014		connector	0.75 2 384	1	1	
UHA-28	R035-001600		Tie Rip	CV-100B	3	3	
UHA-29	008-114	180 + 185	Coil Spring		2	2	

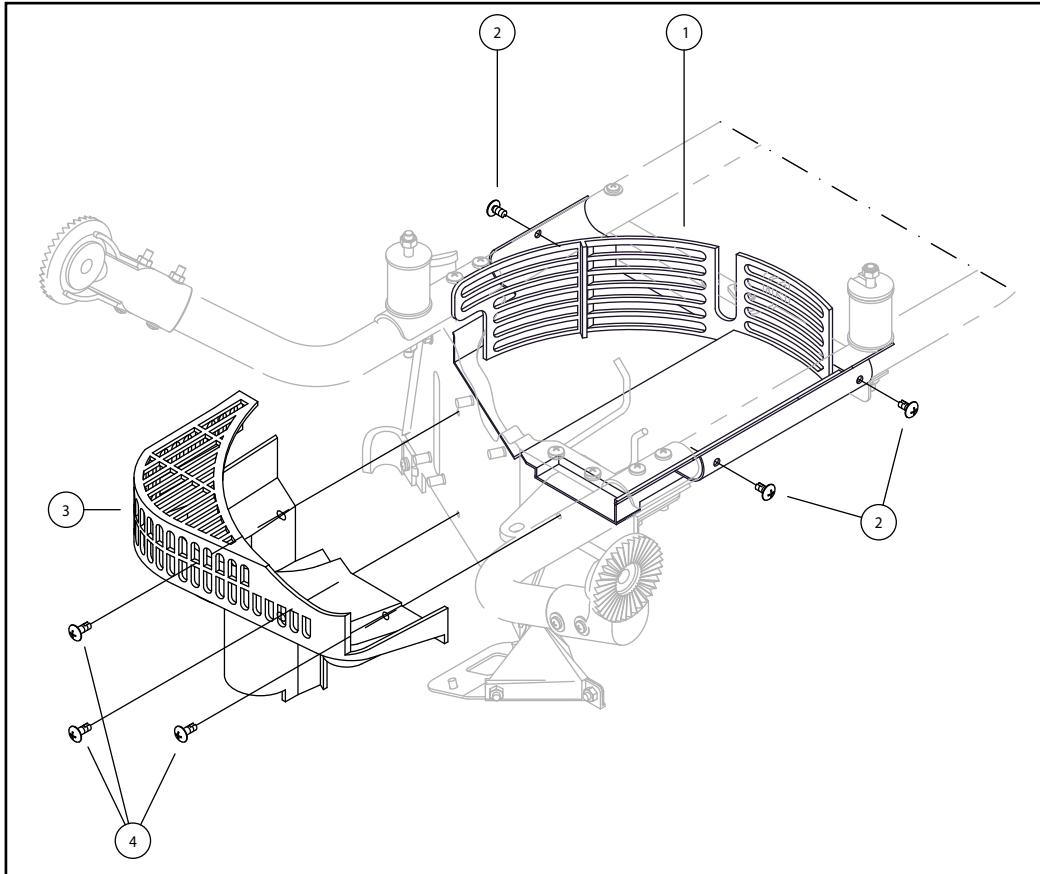


Detail ChartNo.	PartNo.	Chart EazyCut	Description	Note	Q-EC1200	Q-EC1600	Order
SHA-01	FV5-A013000		End short handles - EC1600		-	1	
SHA-01	FV5-A015000		End short handles - EC1200		1	-	
SHA-02	FV5-A009000		First End lever bracket		1	1	
SHA-03	A118-150004		R aluminum Washers		2	2	
SHA-04	K054-050300	159	Upset Screw P3	M5x30	2	2	
SHA-05	FV5-A010000		Second end lever bracker		1	1	
SHA-06	FV5-A012000		Switch Plates		1	1	
SHA-07	K055-050350		Upset Screw P3	M5x35	1	1	
SHA-08	FV5-A014000		End switch lever - EC1600		-	1	
SHA-08	FV5-A016000		End switch lever - EC1200		1	-	
SHA-09	A003-030004		Screw Spring		1	1	
SHA-10	A185-115004		Pin wheel H		2	2	
SHA-11	K279-080001		Pin clip		2	2	
SHA-12	FV5-A008000		End Cable holder		1	1	
SHA-13	K150-050000	160	Hexagon Nut	M5	2	2	
SHA-14	R105-006501		Emergency stop switch		1	1	
SHA-15	A030-003003	188	Adjuster Slide L		2	2	
SHA-16	062-185	161 + 163	Coil Spring		2	2	
SHA-17	A030-004003	187	Adjuster Slide S		2	2	
SHA-18	FV5-A005000		Filling plate (only EC 1600)		-	2	
SHA-19	A031-001004	189	Binder Small Screw	M5	4	4	
SHA-20	096-148	162	Handleshaft Collar End		1	1	
SHA-21	008-117	158	Handleshaft Washer	Ø8x28x2.3	1	1	
SHA-22	A015-014003	157	Handleshaft		1	1	
SHA-23	K201-080000		Toothed Round Flat Washer 8	Ø8	1	1	
SHA-24	K166-080000	167	Thin U Nut	M8	1	1	
SHA-25	R030-001700		Throttle Lever		1	1	
SHA-26	G010-001730		Throttle Cable - EC1200		1	-	
SHA-26	G010-001740		Throttle Cable - EC1600		-	1	

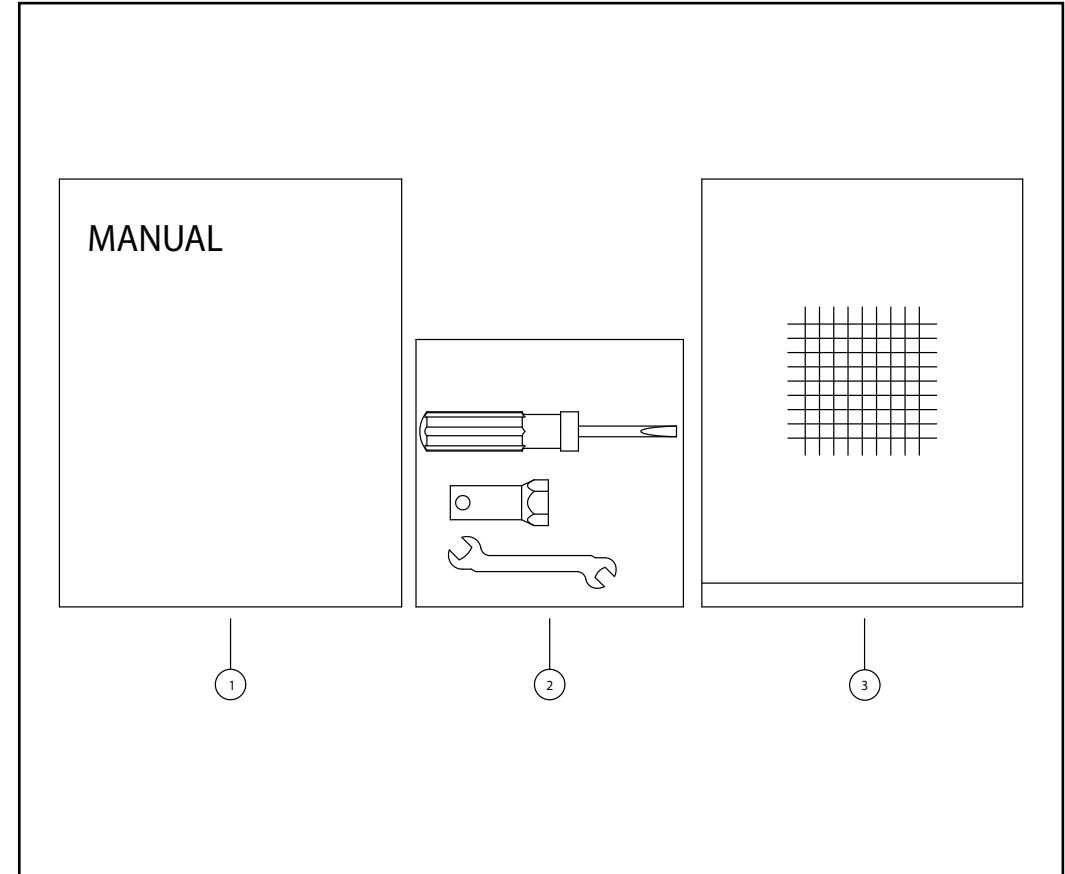


Detail ChartNo.	PartNo.	Chart EazyCut	Description	Note	Q-EC1200	Q-EC1600	Order
SHA-27	R227-000100		Push Nut		1	1	
SHA-28	G010-001710		Clutch Cable - EC1600	CE version	-	1	
SHA-28	G010-001720		Clutch Cable - EC1200	CE version	1	-	
SHA-29	R227-000200		Cap Nut		1	1	
SHA-30	G010-001700-1200		Clutch Cable - EC1200	non CE version	1	-	
SHA-30	G010-001700-1600		Clutch Cable - EC1600	non CE version	-	1	
SHA-31	008-287		Hook Coil Spring		1	1	
SHA-32	G005-22E012		Connecting Cable Emergency Stop - EC1600	0.75 2 1702	-	1	
SHA-32	G005-22E013		Connecting Cable Emergency Stop - EC1200	0.75 2 982	1	-	
SHA-33	R0325-001600		Tie Rip	CV-100B	8	1-	

Assembly of Cover



Accessories



Detail ChartNo.	PartNo.	Chart EasyCut	Description	Note	Q-EC1200	Q-EC1600	Order
COV-01	103-104	124	Cover & Fan Casing		1	1	
COV-02	K113-400800		Trass Tap Nut 2	M4x8	3	3	
COV-03	103-105	43	Pulley Cover	Cover Pulley	1	1	
COV-04	K113-400100	44	Trass Tap Nut	M4x10	3	3	

Detail ChartNo.	PartNo.	Chart EasyCut	Description	Note	Q-EC1200	Q-EC1600	Order
ACC-01	T1260-93111	0	Instruction Manual		-	-	
ACC-02	Z1490-90002	0	Tool set		1	1	
ACC-03	008-314		EasyCut Spare Bag - EC1200		1	-	
ACC-03	R240-000900		EasyCut Spare Bag - EC1600		-	1	